

Important!

Audi

Please give copies to
all your Audi Technicians

Technical Bulletin

Subject: **Compact Disc Changer, Installation Instructions**

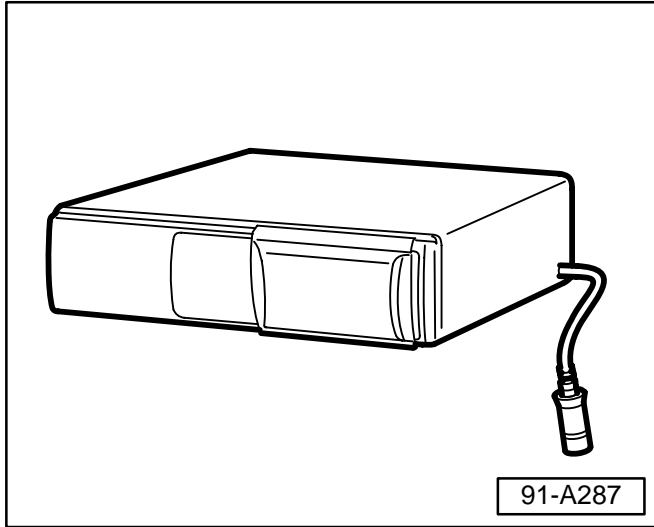
Group: **91**

Number: **00-08**

Model(s): **TT Roadster**

2001

Date: **Nov. 15, 2000**



Service

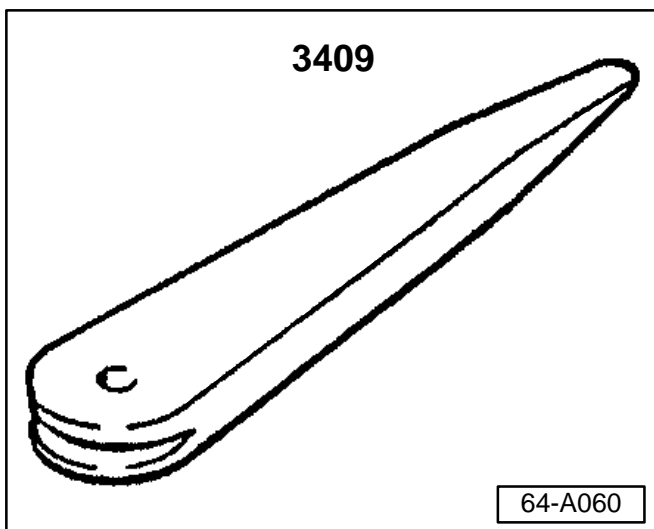
◀ Install CD changer as follows:

Parts Required:

Description	Part No:	Qty.
CD Changer	8N7 035 111A	1
Storage compartment	8N7 858 373	1
Bracket	8N7 857 955A	1
Screws	N 906 402 01	6
Plastic nut	811 807 577C	2
Screw	N 103 546 01	1

CAUTION!

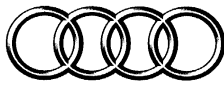
*Part numbers are for reference only.
Always check with your Parts Dept. for
the latest parts information.*



- Place convertible top in open position.
- Adjust both seats to full forward position and fold backrests forward.

◀ When removing trim, use trim removal wedge (tool No: 3409).

(Cont. on Page 2)

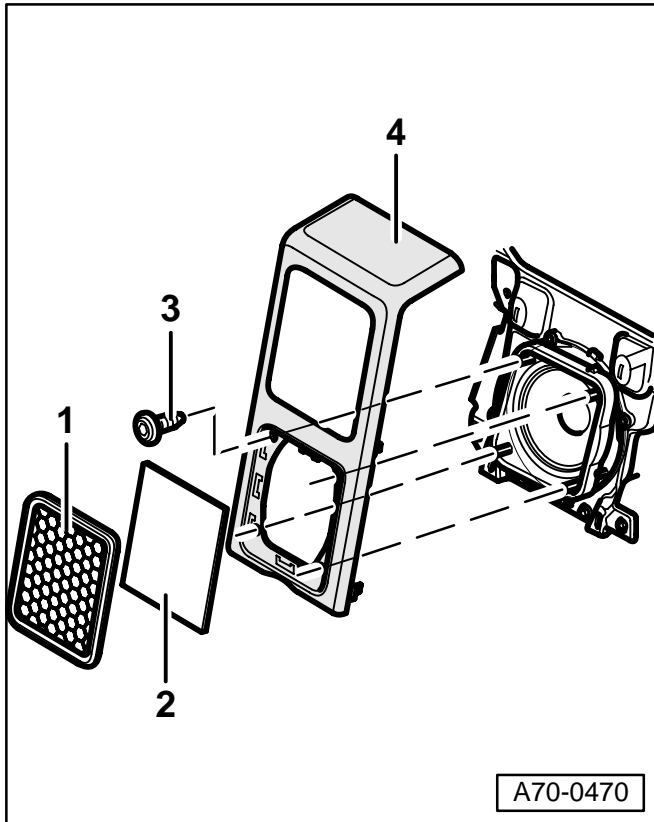


Audi

Important!

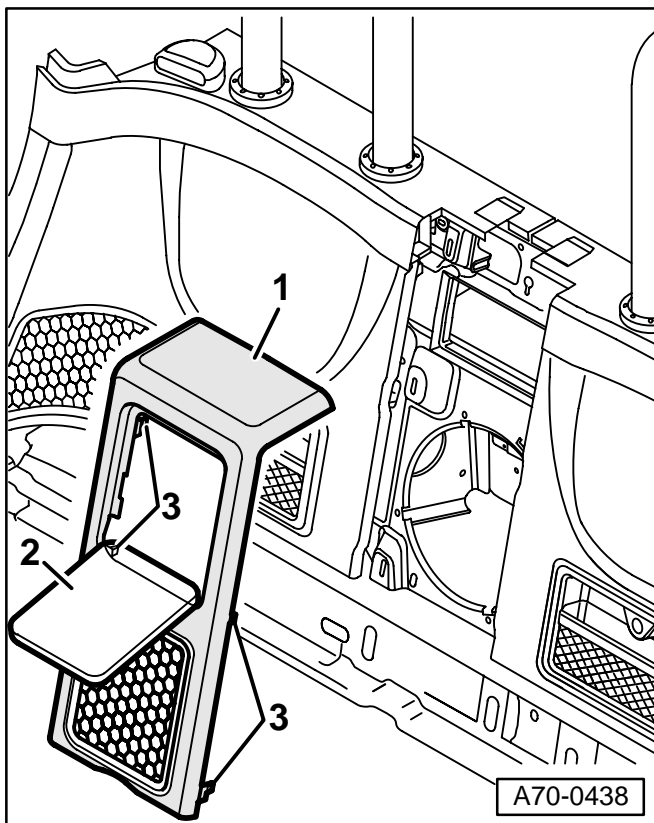
Please give copies to
all your Audi Technicians

Technical Bulletin



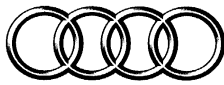
Center panel trim, removing

- ◀ – Carefully remove center speaker trim -1-, beginning at side of trim.
- Remove bolts -3- (4x).



- ◀ – Reach through opening -2- into trim -1- and remove by pulling trim -1- forward.

(Cont. on Page 3)

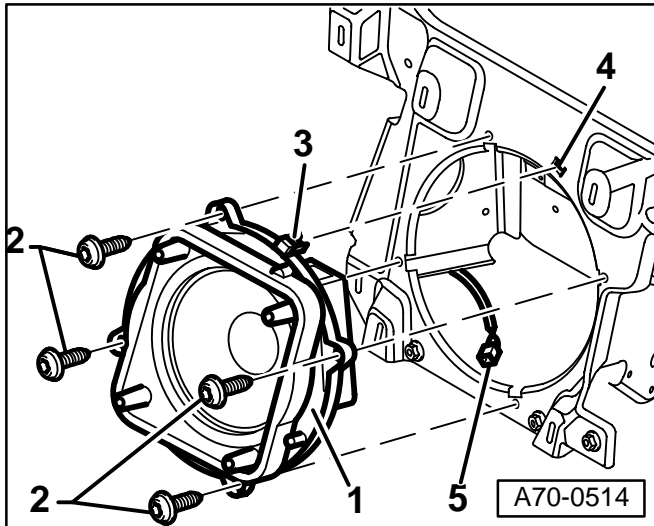


Important!

Audi

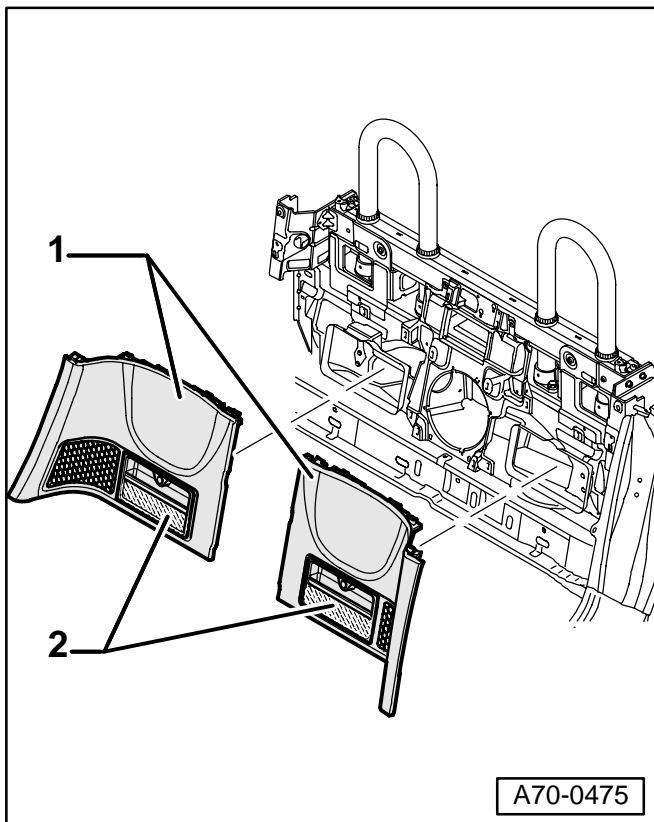
Please give copies to
all your Audi Technicians

Technical Bulletin



Center speaker, removing

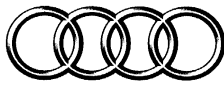
- ◀ – Remove bolts -2- (4x).
- Remove center speaker and disconnect harness connector -5- (when reinstalling, guide tab -3- into mount -4-).



Rear trim panel left side, removing

- ◀ – Remove left storage compartment cover -2-.
- Loosen left rear trim panel cover (without removing the mounting point for the outer seat belt assembly) and insert a wedge between left rear trim panel cover and cross member for roll bar.
- Remove left rear trim panel trim -1- starting at top (grab rear panel through opening at -2-).

(Cont. on Page 4)

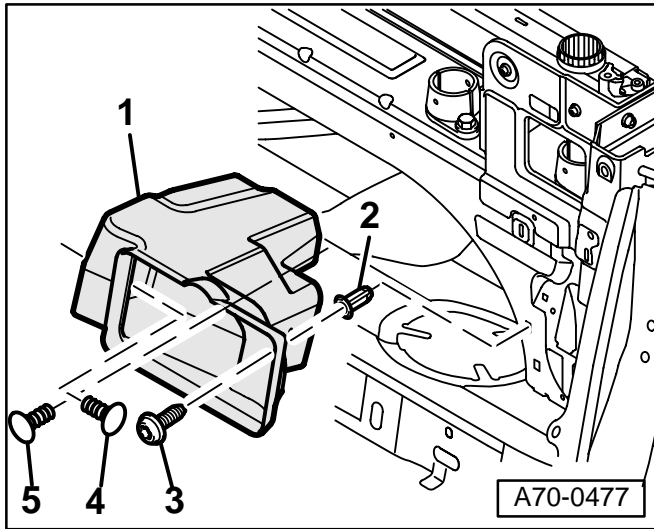


Important!

Audi

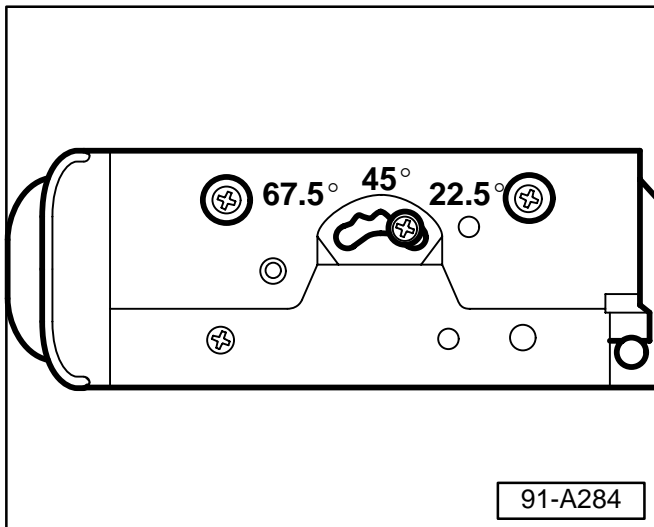
Please give copies to
all your Audi Technicians

Technical Bulletin

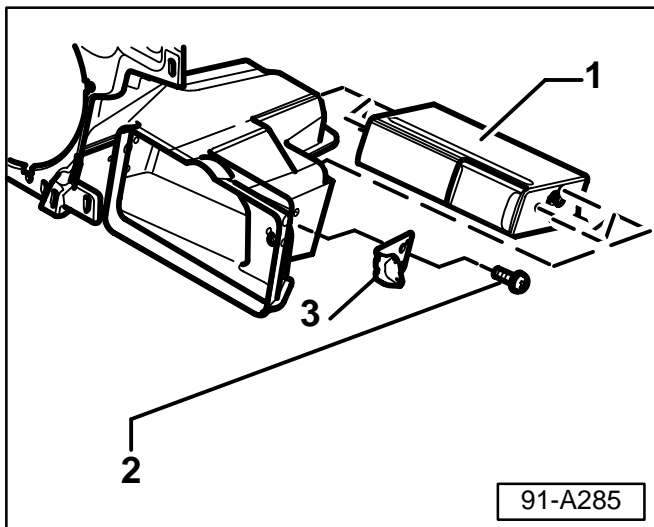


Left storage compartment, removing

- Remove screw -3- (1x).
- Remove clips, -4-, and -5-.
- Pull compartment -1- straight out.
- Remove tie-wrap from wire harness to storage compartment.

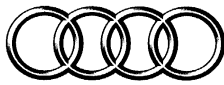


- Set both CD unit horizontal / vertical switches to 22.5°.



- Enlarge CD unit mounting holes (6x) in storage box to approx. 9mm.
- Install CD unit -1- into storage box using bracket -3- and mounting screws -2- (3x) on left side.
- Connect harness to CD unit and tie-wrap harness to back of storage box.

(Cont. on Page 5)

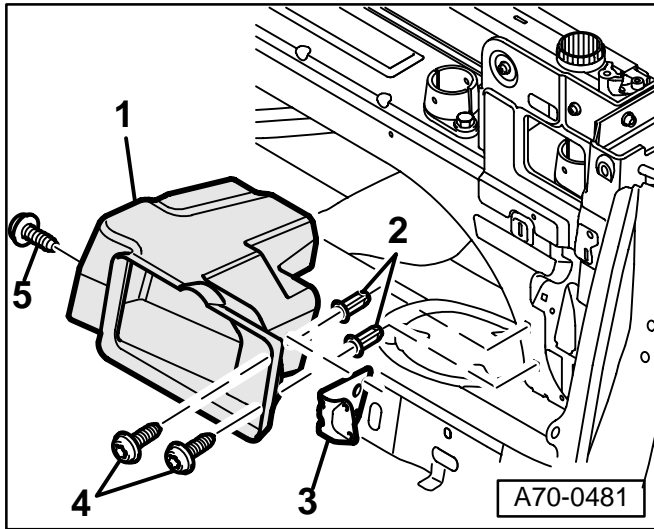


Important!

Audi

Please give copies to
all your Audi Technicians

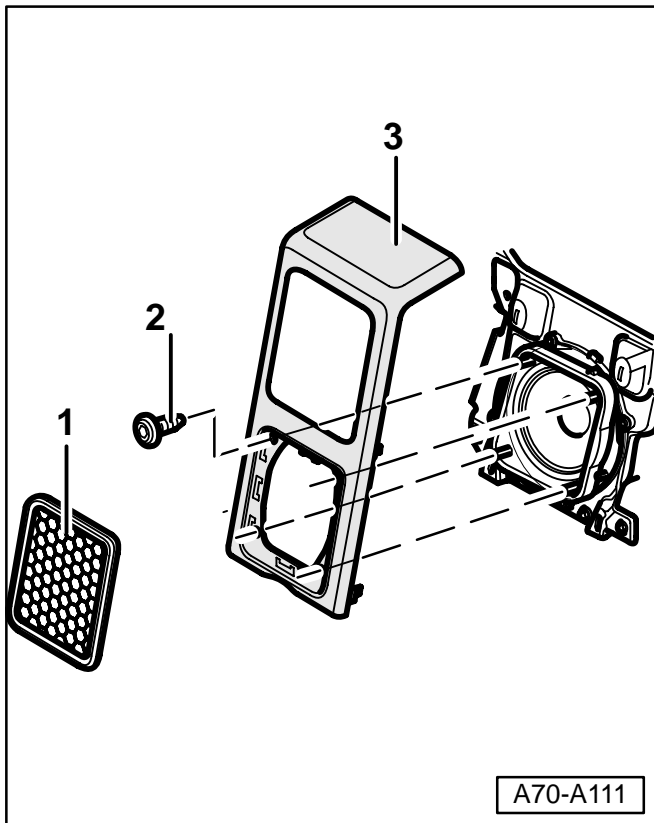
Technical Bulletin



- ◀ – Install storage box / CD unit in vehicle using screws -5- (3x) to attach storage box to speaker bracket (right side).
- Install screws -4- (2x) and attach through bracket -3- (previously installed) to body panel into clips -2- (install additional clip -2- into body if necessary).

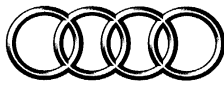
Note:

Use a test CD to test functionality of the CD unit before proceeding.



- Reinstall speaker.
- Reinstall left rear trim panel and left rear trim panel cover.
- Reinstall storage compartment cover.
- ◀ – Reinstall center rear trim panel -3-.
- Reinstall center speaker trim -1- (trim must be installed correctly, note the keyed tabs at top).
- Move seats back to original position.
- Place convertible top in closed position.
- Code radio to include CD changer (see coding table in Repair Manual CD-ROM *Radio, Telephone, Navigation* Group 01 On Board Diagnostic (OBD) Code Control Module (function 07).

(Cont. on Page 6)




Important!

Audi


Please give copies to
all your Audi Technicians

Technical Bulletin

Vehicle Self-Diagnosis	
Select vehicle system	
45- Interior monitoring 55- Headlight control 65- Tyre pressure 75- Emergency call module 16- Steering wheel electronics 26- Electronic roof controls 36- Seat adjustment - driver side 46- Convenience system central module 56- Radio 66- Seat/mirror adjustment	
Test Instruments	Go to Print Help
01-A042	

Radio, coding using VAS 5051 Diagnostic tool

- Connect the VAS 5051 Diagnostic tool.
- Switch ignition ON.
- From VAS 5051 Start-up screen, select "Vehicle self diagnosis".
- ◀ - Select vehicle system "56- Radio" (use the scroll bar at right side of screen if necessary).

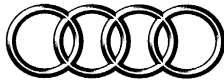
Vehicle Self-Diagnosis	
56 - Radio 8N0035186A Radio D03 Coding 515 Dealership number XXXX	
Select diagnosis function	
02- Interrogate fault memory 03- Final control diagnosis 04- Basic settings 05- Erase fault memory 06- End output 07- Code control module 08- Read data block 09- Reading individual measuring value 10- Adaption 11- Login procedure	
Test Instruments	Go to Print Help
01-A043	

- ◀ - Select Diagnosis function "07 - Code control module" (arrow).

Vehicle Self-Diagnosis																
56 - Radio 8N0035186A Radiod03 Coding 515 Dealership number XXXX																
07 - Code control unit																
Enter display group max. input value = 32767																
<table border="1" style="margin: auto;"> <tr> <td colspan="3">00517</td> </tr> <tr> <td>1</td> <td>2</td> <td>3</td> </tr> <tr> <td>4</td> <td>5</td> <td>6</td> </tr> <tr> <td>7</td> <td>8</td> <td>9</td> </tr> <tr> <td>C</td> <td>0</td> <td>Q</td> </tr> </table>		00517			1	2	3	4	5	6	7	8	9	C	0	Q
00517																
1	2	3														
4	5	6														
7	8	9														
C	0	Q														
Test Instruments	Go to Print Help															
01-A044																

- ◀ - When keypad appears, input "00517" then press "Q" (example only, obtain correct coding from coding table in Repair Manual CD-ROM *Radio, Telephone, Navigation* Group 01 On Board Diagnostic (OBD) Code Control Module function 07).

(Cont. on Page 7)

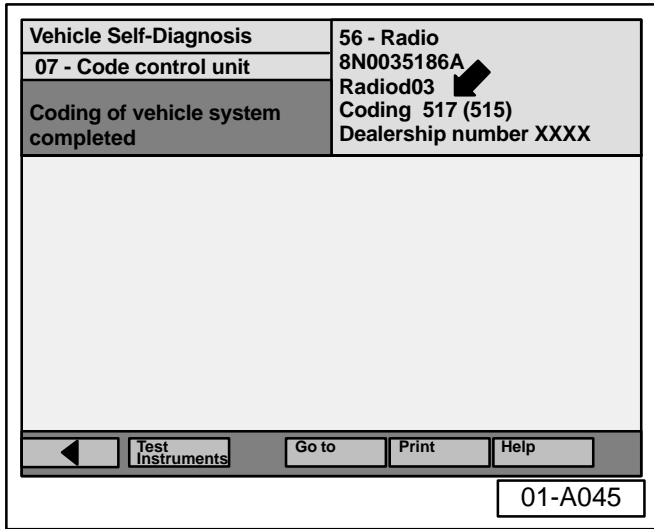


Important!

Audi

Please give copies to
all your Audi Technicians

Technical Bulletin



◀ Left side of screen shows “Coding of vehicle system complete” new coding 517 (arrow) old coding is in parenthesis (515).

Select back arrow ◀ .

- Select Diagnosis function “02 - Interrogate fault memory”.
- Clear any stored DTC's.
- Select “Go to” then select “Exit”
- Remove VAS 5051 Diagnostic tool.

When procedure applies to vehicles within the New Vehicle Limited Warranty, use the following:

Part Identifier:	9160
Labor Operation:	91602300 110 TU